

Retrofit ASC Launcher FMVSS 201u Free Motion Headform

- Launcher XS: Smallest & most flexible launcher worldwide
- Best in class accuracy with high speed closed loop control
- Direct adjustment of speeds without any pretest required & low operating cost (\$ 1/launch)
- High availability & low maintenance costs through hydraulics-free design
- Compatible with most test systems: BIA, ARIES, MTS, MGA, ...

Retrofit ASC Launcher FMVSS 201u Free Motion Headform

System Description

Retrofit your existing test equipment with a Microsys ASC launcher for test performance according to FMVSS 201u:

Many of the existing FMVSS 201u test systems in automotive test labs are no longer state of the art. Although in many cases the existing impactor test system structure is still in good shape, the existing launchers do not have the required accuracy or the ability to perform testing in small vehicles.

The Microsys Advanced Speed Control (ASC) launcher can now be installed as stand alone launcher to replace the old or lower performance launchers from BIA, ARIES, MTS, MGA, Ernst and others. The retrofit can easily be installed, even if the old launcher has hydraulic propulsion.

The Microsys ASC launcher comes with a control system and software to select the required speed at impact and to start the launch process. The global movement of the test system comes from the existing test tower and software.

The standalone launcher is screwed to the existing equipment arm. A customized extension of the arm can be used to improve the performance of the system inside small test vehicles.

The launcher is equipped with ASC closed loop control and has all benefits of the Microsys ASC launchers:

- No pretest required for speed adjustment
- Repeatability of speed at the impact ± 0.1 km/h
- Smallest launcher worldwide for efficient test inside the vehicle according to FMVSS 201u

Basic System Specification

- Work and control medium: Technical Nitrogen N₂
- Supply pressure N₂: up to 16 bar
- Control system: B&R
- Required power supply: 3-phase AC 2,5 kW

System Performance

- Speed at impact: 18 - 25 km/h
- Accuracy of speed at the impact: ± 0.2 km/h
- Repeatability of speed at the impact: ± 0.1 km/h
- Accuracy of impact location: ± 5.0 mm

Load Cases & Launcher Type

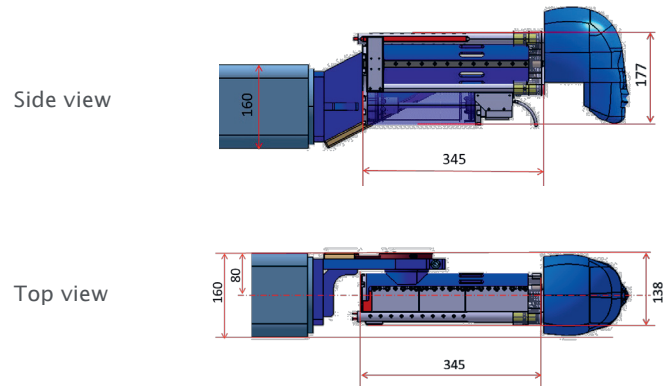


Launcher XS

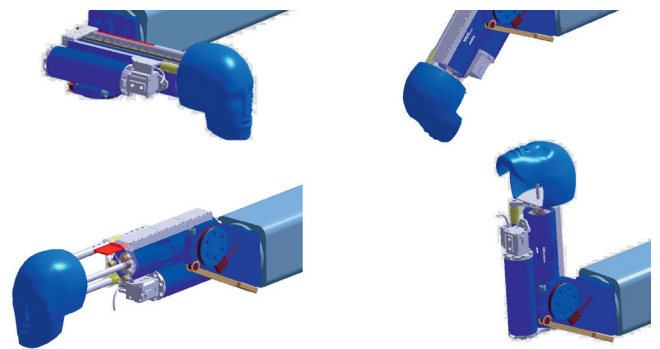
Free Motion Headform:

- FMVSS 201u/TP 201U

Basic System Dimensions



Most flexible FMVSS 201u Launcher



Control System & Data Analysis

Like all Microsys products the ASC launcher is controlled by the flexible and user friendly software „Unisoft“, which reduces the time and cost for training of technical personnel. Furthermore different configurations on customer request are possible. The control system consists of standardized components that are available all around the world and enables a fast and easy support workflow.

If used with the Microsys Universal Impactor Test System, all adjustments needed for the positioning of the system prior to the firing can be completed by means of a wireless remote control. The system adjustment is possible via two joy-sticks, mounted on the remote control itself.

Certified Quality

The Microsys tests system is certified by TÜV and will be delivered with the CE mark. The ASC launcher is used by many OEM's for conformity of production testing, for vehicle engineering, self-certification and type approval.